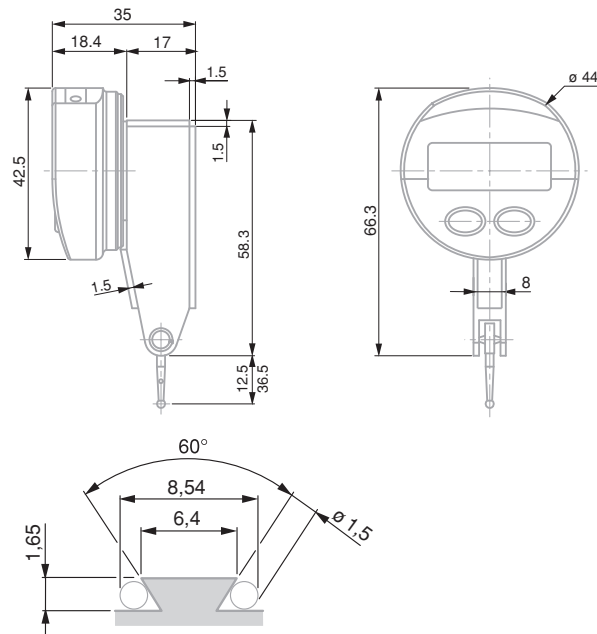


## TESA IP65 Electronic Dial Test Indicators

Provides the advantages of a mechanical test indicator with a digital reading.



- Inductive patented measuring system.
- Analogue and digital indication.
- Digital step of 0,01/0,001 mm.
- Selectable scale division: 10, 20, 50  $\mu\text{m}$ /1, 2, 5  $\mu\text{m}$ .
- Cutting oils and liquid coolant resistant (IP65).
- Metric/inch conversion.
- RS232 data output combined with external power supply.
- Displayed measuring modes (NOR/MIN/MAX/MAX-MIN).
- Automatic shut-down.
- Compatible with all TESATAST accessories.



- LCD, 5 digits + unit
- Display digit height 6 mm
- Max. perm. errors:  
 $f_s = 10 \mu\text{m}$   
 $f_{ges} = 13 \mu\text{m}$   
Pre-span = 0,05 mm
- Repeatability:  
 $f_s = 1 \mu\text{m}$
- Hysteresis:  
 $f_s = 3 \mu\text{m}$
- L = 12,5 mm;  
max. 0,05 m/s  
L = 36,5 mm;  
max. 0,15 m/s
- Number of measurements per second: 9
- Zero-setting
- RS232
- 3 V lithium battery, type CR2032
- Battery life > 4000 hours
- Operating temperature range: +5°C to +40°C
- Degree of protection: IP65 (IEC 529)
- EN 61326-1
- 73 g (L = 12,5 mm)  
75 g (L = 36,5 mm)
- Supplied in a plastic case with:  
1 Insert with a 2 mm dia. (No. 01860202)  
1 Wrench (No. 01860307)  
1 Mounting rod 8 mm dia. (No. 01840105)

	mm	mm	in	N ( $\pm 15\%$ )	Stem length, mm	
01830001	0,8	0,01/0,001	0.0005/0.00005	0,13	12,5	
01830002	0,5	0,01/0,001	0.0005/0.00005	0,07	36,5	

**OPTIONAL ACCESSORIES:**

- 01961000 Lithium battery, 3V, CR2032
- 04761060 RS 232 cable with external power supply

Compatible with all TESATAST measuring inserts and accessories





### TESATAST Standard Models

No	mm	mm	∅, mm	Insert, mm	
01810005	0,8	0,01	28	0 ÷ 0,4 ÷ 0	12,53
01810006	0,8	0,01	38	0 ÷ 0,4 ÷ 0	12,53
01810007	0,5	0,01	28	0 ÷ 0,25 ÷ 0	36,53
01810008	0,5	0,01	38	0 ÷ 0,25 ÷ 0	36,53
01810009	0,2	0,002	28	0 ÷ 100 ÷ 0	12,53
01810010	0,2	0,002	38	0 ÷ 100 ÷ 0	12,53
S18001695	0,2	0,001	38	0 ÷ 100 ÷ 0	12,53

DIN 2270  
NF E 11-053

Rotating dial

Very low measuring force, see table.

Movement with patented shock proof system

Lever system with friction drive to prevent overload

Accuracy: see table.

Supplied in a plastic case together with:  
1 Insert with a 2 mm dia.  
1 Wrench (No. 01860307)  
1 Mounting rod 8 mm dia.  
(No. 01840105)



### SWISSTAST Standard Models

No	mm	mm	∅, mm	Insert, mm	
01811000	0,8	0,01	28	0 ÷ 0,4 ÷ 0	12,53
01811001	0,2	0,002	38	0 ÷ 100 ÷ 0	12,53

Same technical data as standard models, but equipped with a 2 mm dia. ruby ball tip No. 01860302.

### TESATAST Perpendicular Models



No	mm	mm	∅, mm	Insert, mm	
01810204	0,8	0,01	28	0 ÷ 0,4 ÷ 0	12,53
01810205	0,5	0,01	28	0 ÷ 0,25 ÷ 0	36,53
01810304	0,2	0,01	38	0 ÷ 100 ÷ 0	12,53